

# Carryvac

P 150 AST  
P 150



## RESERVDLSLISTA CARRYVAC P 150 AST

Pos	Art Nr	Benämning
1	154352015	Slang 1,6 m dia. 45 mm
1	154352008	Slang 3,5 m dia. 45 mm
1	154352006	Slang 5,0 m dia. 45 mm
1	154352002	Slang 15,0 m dia. 45 mm
2	468455004	Slangändstycke
6	468455002	Metalfilter (tillbehör)
8	846455014	Grovavskiljare komplett
9	468455001	Filter
16	468455020	Packningsset motor (3 st)
17	468455021	Motor 220 V
18	468455022	Motor 110 V
19	468455023	Kolborstset 220 V
20	468455023	Kolborstset 110 V
23	468455026	Automatikkort
24	468455027	Tryckvakt
27	468455030	Kabelhållare
28	468455031	Glödlampa "AUTO" och "FILTER"
29	468455032	Lins "AUTO"
30	468455033	Strömbrytare
31	468455034	Lins "FILTER"
32	468455035	Radiofilter (endast för vissa länder)

S

## SPARE PARTS LIST CARRYVAC P 150 AST

GB

Pos	Art No	Designation
1	154352015	Flexible hose 1.6 m 45 mm dia.
1	154352008	Flexible hose 3.5 m 45 mm dia.
1	154320006	Flexible hose 5.0 m 45 mm dia.
1	154352002	Flexible hose 15.0 m 45 mm dia.
2	468455004	Hose connection
6	468455002	Metal filter (accessory)
8	468455014	Coarse separator complete
9	468455001	Filter
16	468455020	Packing set (3 pcs)
17	468455021	Motor 220 V
18	468455022	Motor 110 V
19	468455023	Carbon brushes 220 V
20	468455023	Carbon brushes 110 V
23	468455026	Automatics
24	468455027	Pressure guard
27	468455030	Cable holder
28	468455031	Indicator lamp "AUTO" and "FILTER"
29	468455032	Lens "AUTO"
30	468455033	Switch
31	468455034	Lens "FILTER"
32	468455035	Radio filter (for certain countries only)

## ERSATZTEILLISTE CARRYVAC P 150 AST

Pos	Art No	Bezeichnung
1	154352015	Schlauch 1,6 mm, dia. 45
1	154352008	Schlauch 3,5 m dia. 45 mm
1	154352006	Schlauch 5,0 m dia. 45 mm
1	154352002	Schlauch 5,0 m dia. 45 mm
2	468455004	Schlauchendstück dia. 45 mm
6	468455002	Metalfilter (Zubehör)
8	846455014	Grobabscheider komplett
9	468455001	Filter
16	468455020	Dichtringsatz (3 Stück)
17	468455021	Motor 220 V
18	468455022	Motor 110 V
19	468455023	Kohlenbürsten 220 V
20	468455023	Kohlenbürsten 110 V
23	468455026	Steuerplatine
24	468455027	Drückwächter
27	468455030	Kabelhalter
28	468455031	Glühlampe "AUTO" und "FILTER"
29	468455032	Linse "AUTO"
30	468455033	Schalter
31	468455034	Linse "FILTER"
32	468455035	Funkentstörungsfilter (nur einige Länder)

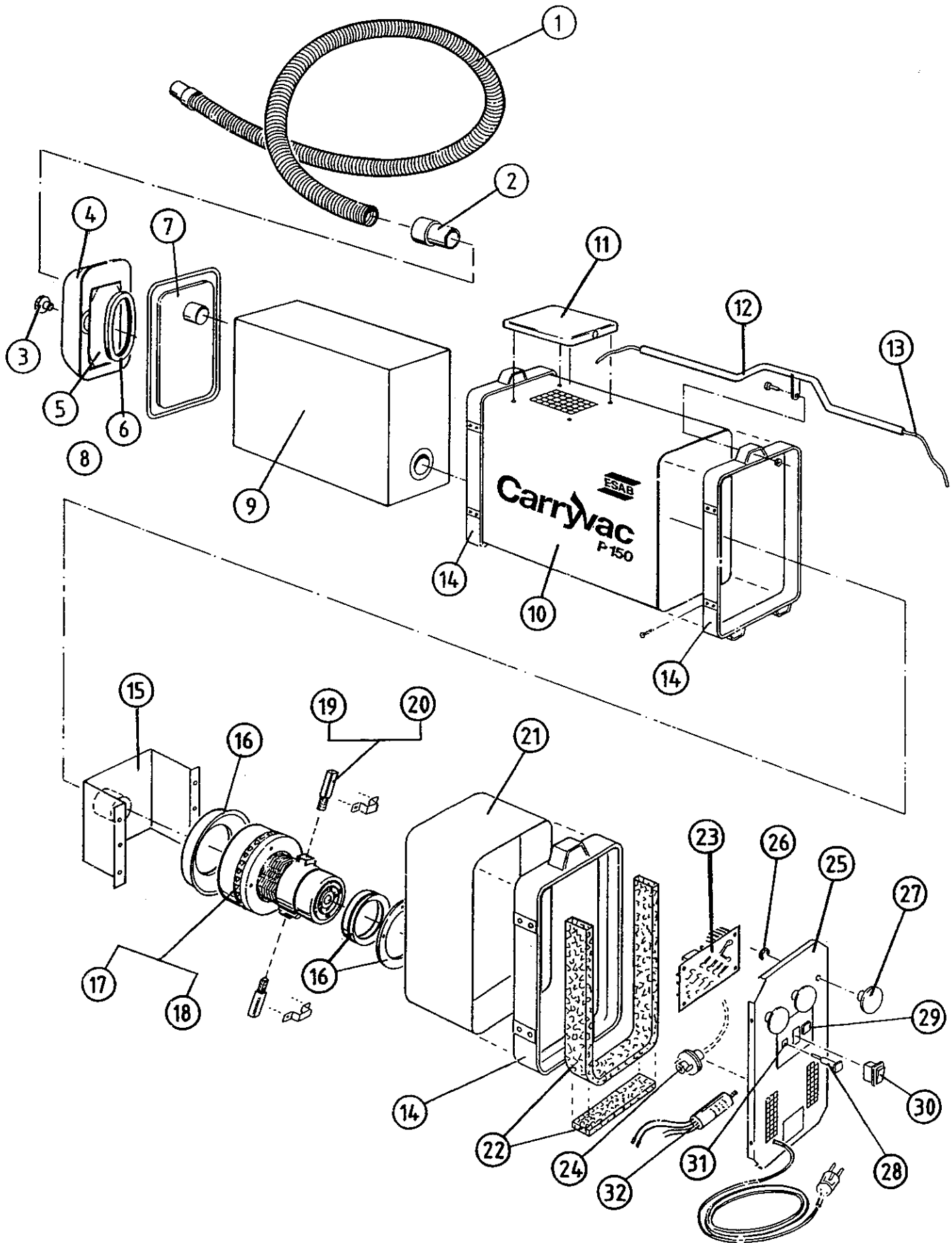
D

## LISTE DES PIECES DE RECHANGE CARRYVAC P 150 AST

F

Pos	No D'art	Désignation
1	154352015	Gaine 1,6 m dia. 45 mm
1	154352008	Gaine 3,5 m dia. 45 mm
1	154352006	Gaine 5,0 m dia. 45 mm
1	154352002	Gaine 5,0 m dia. 45 mm
2	468455004	Raccord plastique
6	468455002	Filtre métallique (accessoire)
8	846455014	Trappe pare-étincelles compl.
9	468455001	Filtre
16	468455020	Garniture de caoutchouc (3 pcs)
17	468455021	Moteur 220 V
18	468455022	Moteur 110 V
19	468455023	Balais 220 V
20	468455023	Balais 110 V
23	468455026	Rélais électronique
24	468455027	Contrôleur de pression
27	468455030	Support câble
28	468455031	Lampe "AUTO" et "FILTER"
29	468455032	Lentille "AUTO"
30	468455033	Interrupteur
31	468455034	Lentille "FILTER"
32	468455035	Anti-parasite (seulement certains pays)

# Carryvac



S

GB

**RESERVDELSLISTA CARRYVAC P 150**

Pos	Art Nr	Benämning
1	154352015	Slang 1,6 m dia. 45 mm
1	154352008	Slang 3,5 m dia. 45 mm
1	154352006	Slang 5,0 m dia. 45 mm
1	154352002	Slang 15,0 m dia. 45 mm
2	468455004	Slangändstycke
6	468455002	Metallfilter (tillbehör)
8	468455014	Grovavskiljare komplett (Pos 3, 4, 7)
9	468455001	Filter
16	468455020	Packningsset (3 st)
17	468455021	Motor 220 V
18	468455022	Motor 110 V
19	468455023	Kolborstset 220 V
20	468455023	Kolborstset 110 V
23	468455027	Tryckvakt
25	468455031	Glödlampa "FILTER"
26	468455037	Strömbrytare
27	468455034	Lins "FILTER"
28	468455035	Radiofilter (endast vissa länder)
29	46845540	Bruksanvisning

**SPARE PARTS LIST CARRYVAC P 150**

Pos	Art No	Designation
1	154352015	Flexible hose 1.6 m 45 mm dia.
1	154352008	Flexible hose 3.5 m 45 mm dia.
1	154352006	Flexible hose 5.0 m 45 mm dia.
1	154352002	Flexible hose 15.0 m 45 mm dia.
2	468455004	Hose connection
6	468455002	Metal filter (accessory)
8	468455014	Coarse separator complete (pos 3, 4, 7)
9	468455001	Filter
16	468455020	Packing set (3 pcs)
17	468455021	Motor 220 V
18	468455022	Motor 110
19	468455023	Carbon brushes 220 V
20	468455023	Carbon brushes 110 V
23	468455027	Pressure guard
25	468455031	Indicator lamp "FILTER"
26	468455037	Switch
27	468455034	Lens "FILTER"
28	468455035	Radio filter (for certain countries only)

D

F

**ERSATZTEILLISTE CARRYVAC P 150**

Pos	Art No	Bezeichnung
1	154352002	Schlauch 1,6 m dia 45 mm
1	154352008	Schlauch 3,5 m dia. 45 mm
1	154352006	Schlauch 5,0 m dia. 45 mm
1	154352002	Schlauch 15,0 m dia. 45 mm
2	468455004	Schlauchendstück dia. 45 mm
6	468455002	Metallfilter (Zubehör)
8	468455014	Grobabscheider komplett (pos 3, 4, 7)
9	468455001	Filter
16	468455020	Dichtringsatz (3 Stück)
17	468455021	Motor 220 V
18	468455022	Motor 110 V
19	468455023	Kohlenbürsten 220 V
20	468455023	Kohlenbürsten 110 V
23	468455027	Drückwächter
25	468455031	Glühlampe FILTER
26	468455037	Schalter
27	468455034	Linse "FILTER"
28	468455035	Funktentstörungsfilter (nur einige Länder)

**LISTE DES PIECES DE RECHANGE CARRYVAC P 150**

Pos	Art No	Désignation
1	154352015	Gaine 1,6 m, dia 45 mm
1	154352008	Gaine 3,5 m dia. 45 mm
1	154352006	Gaine 5,0 m dia. 45 mm
1	154352002	Gaine 15,0 m dia. 45 mm
2	468455004	Raccord plastique
6	468455002	Filtre métallique (accessoire)
8	468455014	Trappe pare-étincelles compl. (Pos 3, 4, 7)
9	468455001	Filtre
16	468455020	Garniture de caoutchouc (3 pcs)
17	468455021	Moteur 220 V
18	468455022	Moteur 110 V
19	468455023	Balais 220 V
20	468455023	Balais 110 V
23	468455027	Contrôleur de pression
25	468455031	Lampe "FILTER"
26	468455037	Interrupteur
27	468455034	Lentille "FILTER"
28	468455035	Anti-parasite (seulement certains pays)

# Carryvac

